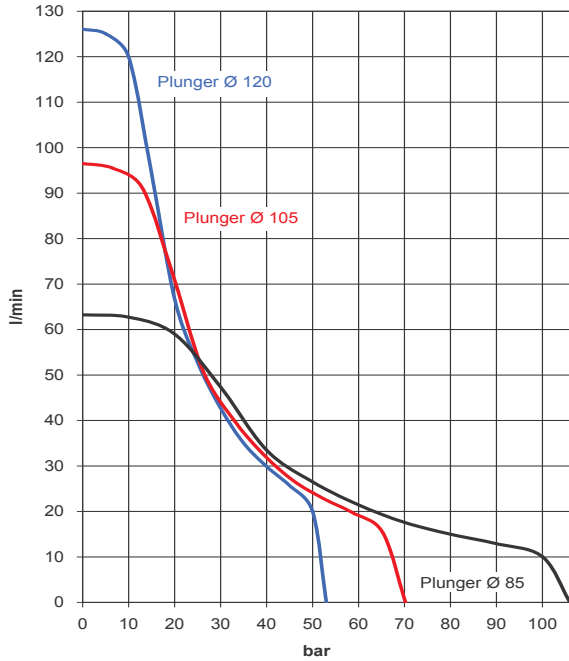
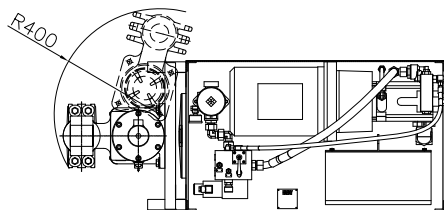
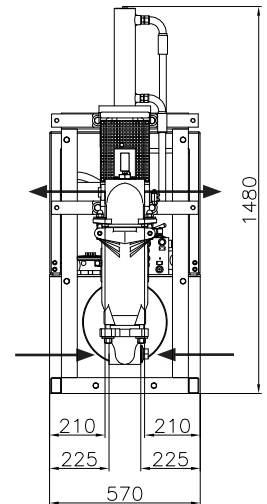
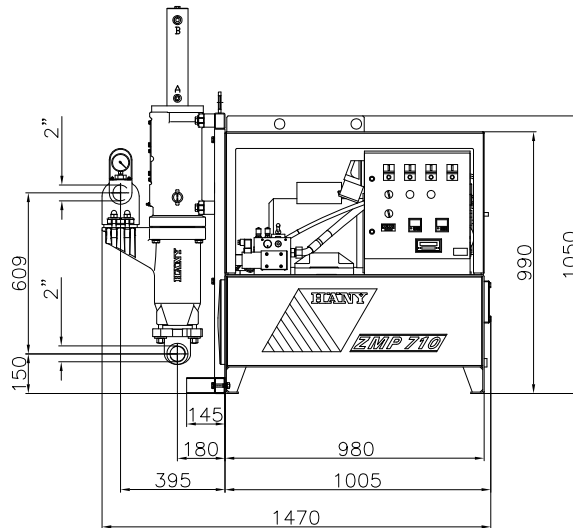
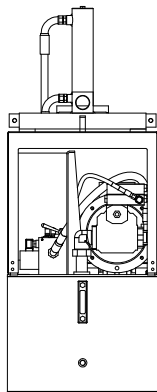


# Data sheet

## ZMP 710V



Plunger Ø	mm	85	105	120
Capacity, max. (W/C = 1)	m <sup>3</sup> /h	3.9	5.5	7.5
Volume per stroke 100%	l	1.4	2.1	2.8
Pressure, max.	bar	100	68	50
Pressure, min.	bar	2	1.5	1
Particle size, max.	mm	8		
Oil content	l	140		
Motor rating	50 Hz kW	7.5		
	60 Hz kW	8.6		
Weight	kg	620		
Cooling water connection	BSP	½"		
Cooling water consumption	l/min	3 - 4		
Discharge	BSP	2"		
Suction	BSP	2" / 2½"		



Hány AG reserves the right to make improvements and modifications to their equipment without notice.

**GROUTING SYSTEMS**

**HÄNY**



## **GROUT PUMP ZMP 710V**

The ZMP 710V is a vertical single acting plunger pump powered by a special hydraulic system. Due to the unique design of this system, the back or suction stroke is always carried out at high speed. Therefore the pressure drop resembles that of a double acting pump and is minimal. The advantage of the fast suction stroke is that the grout passes the suction valve of the pump at relatively high velocity. Thus, heavy particles which tend to settle on the suction valve during the working stroke will be flushed away and the valve is always kept clear. Mixes with low water/cement ratios and sand particles of up to 8 mm in size do not create any problems.

Different plunger sizes are available to cover the largest possible pressure and capacity range with only one pump. The plunger units can be exchanged within minutes. The ZMP 710V is equipped with precise pressure and flow control valves which allow stepless pre-setting of both maximum pressure and flow independently. Whenever the pre-set pressure is reached, the pump automatically stops and maintains that pressure without fluctuations to ensure complete filling of the grout hole. Pressures as low as 1 bar can be pre-set with the low pressure control valve (optional).

The hydraulic power pack is especially designed to power the grout pump ZMP 710V. It comprises a power compensated variable flow hydraulic pump, safety valve, pressure and flow control valve, filter contamination gauge as well as temperature and oil level gauge. The automatically controlled variable flow pump keeps the power consumption to a minimum thus preventing the oil from excessive heating. For continuous operation and warm climatic conditions the hydraulic power pack is provided with a water connection for the cooling of the hydraulic oil.

Simple operation, easy maintenance and cleaning, high quality and safety standards are some of the outstanding features of this pump. The vertical arrangement allows space saving installations in confined areas such as container plants etc.

### **OPTIONAL:**

#### **STROKE COUNTER**

(re-settable)

#### **LOW PRESSURE CONTROL VALVE**

**PLUNGER UNIT 85 mm**

**PLUNGER UNIT 105 mm**

**PLUNGER UNIT 120 mm**

#### **REMOTE CONTROL**

"ON - OFF" with 50 m of cable

#### **REMOTE CONTROL**

"ON - OFF" + Flow Control with 50 m of cable

#### **RADIO - REMOTE CONTROL**

Function "ON - OFF", range 50 – 100 m

#### **RADIO - REMOTE CONTROL**

Function "ON - OFF" + Flow Control, range 50 – 100 m

**GROUTING SYSTEMS**

**HÄNY**

